



MOT Test Number

550902921326

Vehicle Registration Mark

SD56VJJ

Vehicle Identification Number

JTDKB20U507514189

Make

TOYOTA

Model

PRIUS

Colour

Silver

Issuer's Name

M. J. BAKER

Test Class

4

Country of Registration

Great Britain

Expiry Date

20 September 2017 (SEVENTEEN)

Issued

19 Sep 2016

Test Station

1AMA67

Odometer Reading and History

19 9 2016: 239476 mi
8 9 2015: 217562 mi
3 9 2014: 190311 mi
5 9 2013: 161777 mi

Inspection Authority

A1 MOT CENTRE
13 TEKOA UNITS
ALPHINBROOK ROAD
MARSH BARTON TRADING ESTATE
EXETER
EX2 8RG 01392 499300

Additional Information

To preserve the anniversary of the expiry date,
the earliest you can present your vehicle for
test is 21 August 2017.

Signature of Issuer

Advisory Information

001 Suspension arm rubber bush deteriorated but not resulting in excessive movement nearside front [2.4.G.2]
002 Suspension arm rubber bush deteriorated but not resulting in excessive movement nearside rear (axle bush) [2.4.G.2]
003 Suspension arm rubber bush deteriorated but not resulting in excessive movement offside rear (axle bush) [2.4.G.2]
004 Suspension arm rubber bush deteriorated but not resulting in excessive movement offside front [2.4.G.2]

About this document

- 1 This document is a receipt style certificate telling you that an MOT Test pass result has been recorded in the Driver & Vehicle Standards Agency's (DVSA's) database of MOT Test results; this can be verified at www.gov.uk/check-mot-status.
 - 2 A test certificate relates only to the condition of the components examined at the time of test. It does not confirm the vehicle will remain roadworthy throughout the validity period of the certificate.
 - 3 Check carefully that the details are correct.
 - 4 Whilst advisory items listed above do not constitute MOT failure items, they are drawn to your attention for advice.
 - 5 For further information about this document, please visit www.gov.uk/getting-an-mot or contact DVSA on 0300 123 9000*.
- *Your call may be monitored or recorded for lawful purposes.

BCS Check Sheet

APPENDIX C



Job Ref: 103797

Details

Name	Reg No. <u>SD56 UJT</u>	y/n
Telephone	Vehicle	Service book stamped <u>NA</u>
Date <u>19 SEPTEMBER 2016</u>	Mileage	Service light reset <u>NA</u>
<input checked="" type="checkbox"/> Visually OK	Date of next MOT <u>19/09/2016</u>	Vehicle washed & vacuumed <u>NA</u>
<input type="checkbox"/> Advisory		
<input type="checkbox"/> Needs urgent attention		

Service

Type of service completed FULL INSPECTION CHECK

Around the vehicle	<input checked="" type="checkbox"/>	<input type="checkbox"/>	<input type="checkbox"/>	Report	Suggested action
Horn	<input checked="" type="checkbox"/>				
Wipers	<input checked="" type="checkbox"/>				
Washers	<input checked="" type="checkbox"/>				
Instruments	<input checked="" type="checkbox"/>				
Brake lights	<input checked="" type="checkbox"/>				
Indicators	<input checked="" type="checkbox"/>				
Reversing lights	<input checked="" type="checkbox"/>				
Fog lights	<input checked="" type="checkbox"/>				
Headlights	<input checked="" type="checkbox"/>				
Number plate lights	<input checked="" type="checkbox"/>				

Under the bonnet	<input checked="" type="checkbox"/>	<input type="checkbox"/>	<input type="checkbox"/>	Report	Suggested action
Brake fluid level	<input checked="" type="checkbox"/>				
Coolant level	<input checked="" type="checkbox"/>				
Engine oil level	<input checked="" type="checkbox"/>				
Fan belt	<input checked="" type="checkbox"/>				

Raise vehicle

Depth mm

Near side	<input checked="" type="checkbox"/>	<input type="checkbox"/>	<input type="checkbox"/>	Outer	Middle	Inner	Pressure	Condition
Front tyre	<input checked="" type="checkbox"/>			<u>8mm</u>	<u>8mm</u>	<u>8mm</u>	<u>32</u>	<u>NEW</u>
Rear tyre	<input checked="" type="checkbox"/>			<u>5mm</u>	<u>6mm</u>	<u>5mm</u>	<u>32</u>	<u>GOOD</u>

Off side	<input checked="" type="checkbox"/>	<input type="checkbox"/>	<input type="checkbox"/>	Outer	Middle	Inner	Pressure	Condition
Front tyre	<input checked="" type="checkbox"/>			<u>8mm</u>	<u>8mm</u>	<u>8mm</u>	<u>32</u>	<u>NEW</u>
Rear tyre	<input checked="" type="checkbox"/>			<u>5mm</u>	<u>6mm</u>	<u>5mm</u>	<u>32</u>	<u>GOOD</u>

Boot / tailgate	<input checked="" type="checkbox"/>	<input type="checkbox"/>	<input type="checkbox"/>	Outer	Middle	Inner	Pressure	Condition
Check spare tyre	<input checked="" type="checkbox"/>			<u>7mm</u>	<u>6mm</u>	<u>7mm</u>	<u>34</u>	<u>GOOD</u>

Under the vehicle	<input checked="" type="checkbox"/>	<input type="checkbox"/>	<input type="checkbox"/>	Report	Suggested action
Pads / discs	<input checked="" type="checkbox"/>			<u>V. GOOD</u>	

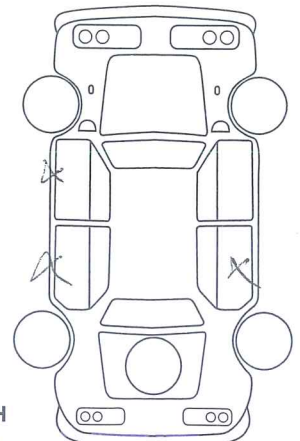
Details of all work completed and Technician observations



Maximum Tyres Ltd
68-72 Hazel Road
Exeter Devon EX4 4LZ
01392 213322

[Handwritten Signature]

Technician Signature



X = SCRATCH
O = DAMAGE

Date 19/09/2016